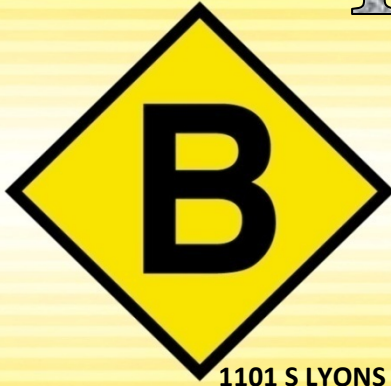


FORMING FACT



BIERSCHBACH EQUIPMENT & SUPPLY

1101 S LYONS AVE
SIOUX FALLS, SD 57101
1-800-843-3707

3030 N PLAZA DRIVE
RAPID CITY, SD 57709
1-800-658-5437

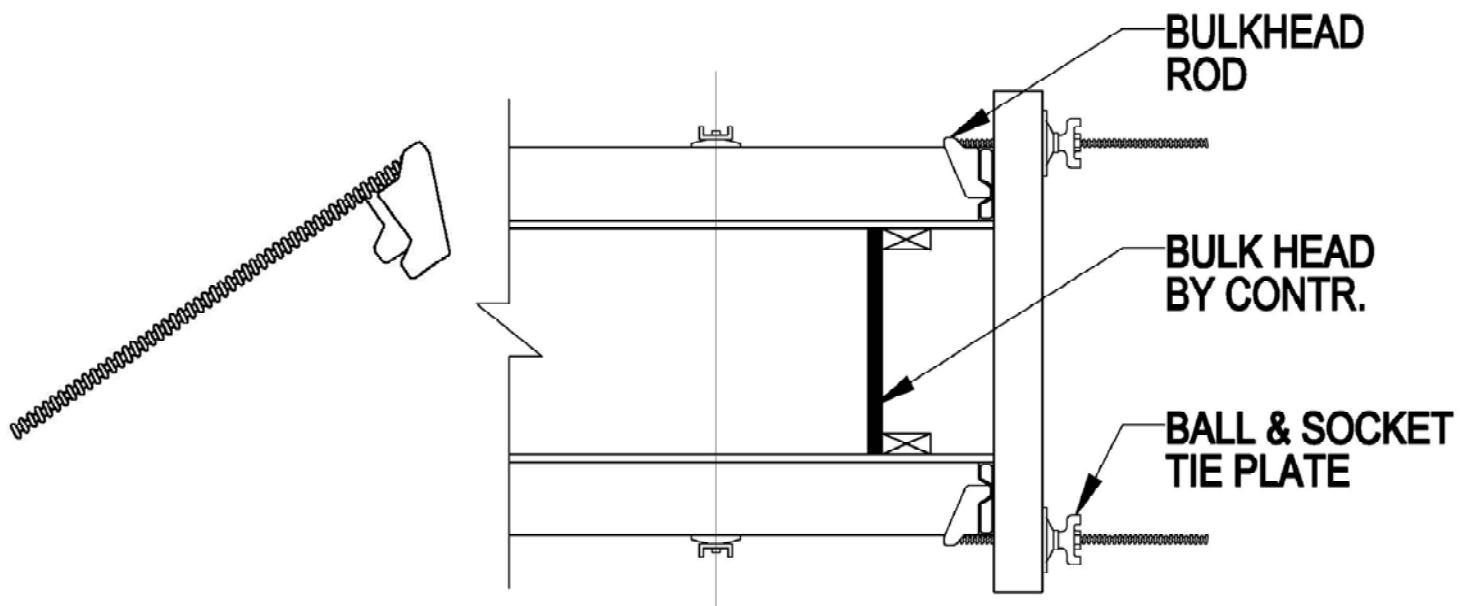
2121 LEECH AVE
SIOUX CITY, IA 51106
1-800-243-3707

4001 MAIN AVE
FARGO, ND 58103
1-800-540-2760

ALISPLY BULKHEAD ROD (54552)

THE BULKHEAD ROD IS USED WITH DOUBLE 2x LUMBER OR STEEL WALERS, PLYWOOD OR SOLID LUMBER AND A BALL AND SOCKET TIE PLATE TO CREATE A JOB-BUILT BULKHEAD.

THE CAPACITY OF THE BULKHEAD ROD IS 4400# AT A 2.5:1 SAFETY FACTOR. TYPICALLY SPACED OUT VERTICALLY EVERY METER (3 FEET).



BULKHEAD ROD AND TYPICAL APPLICATION